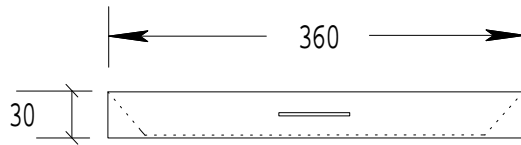
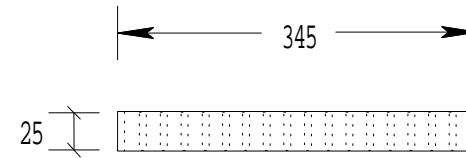


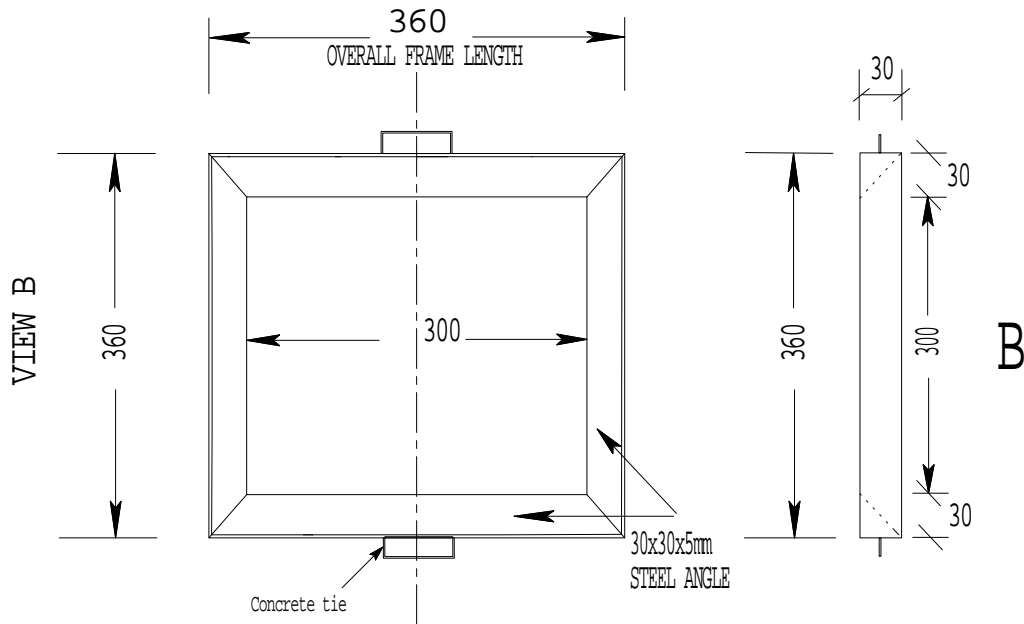
NOTES
 THE GAP BETWEEN THE GRATE & FRAME
 SHOULD BE A MAX OF 5mm



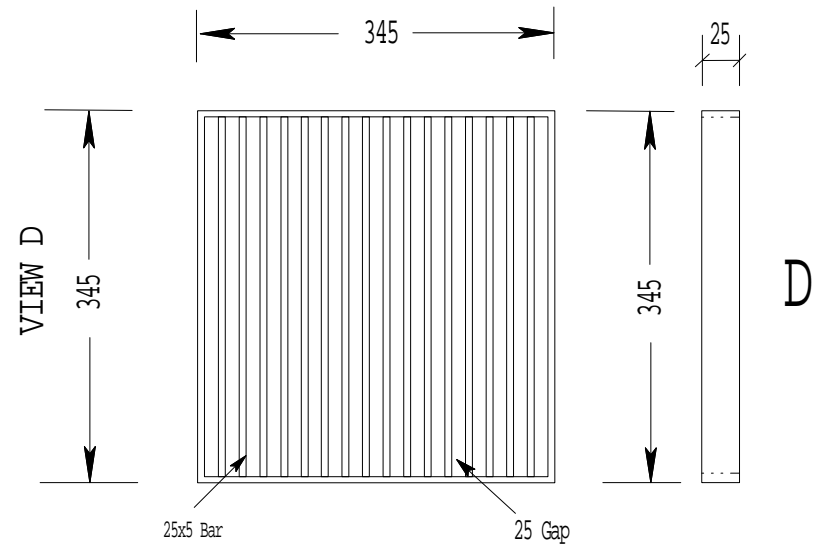
A



C



VIEW A



VIEW C

FRAME OVERALL

GRATE OVERALL



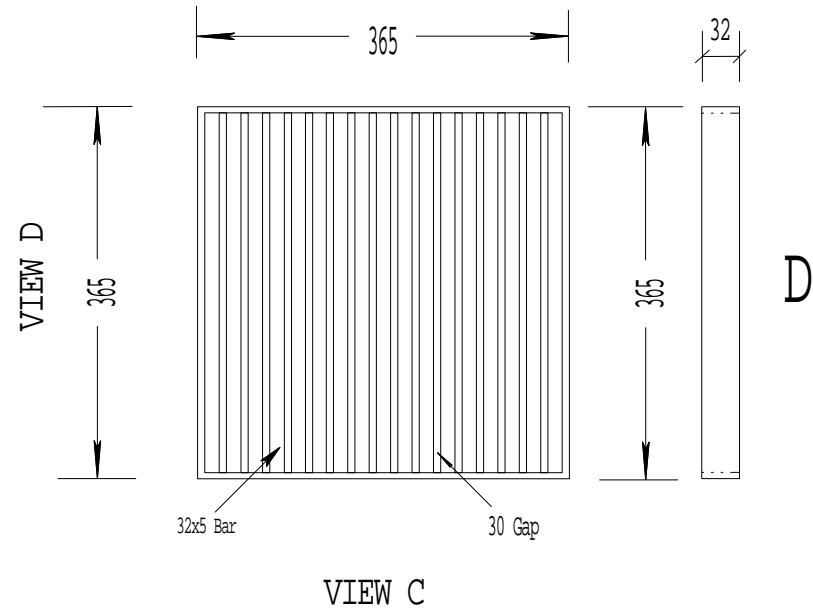
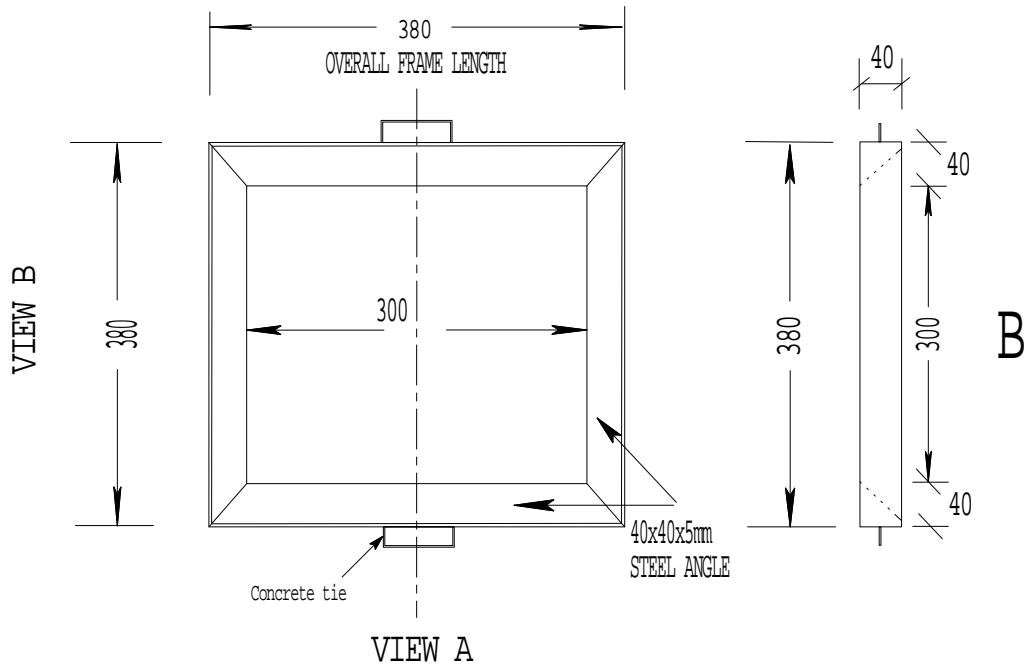
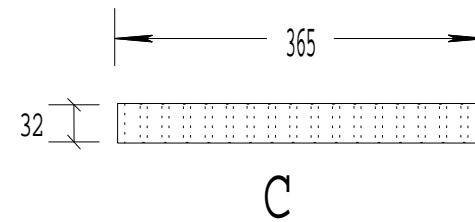
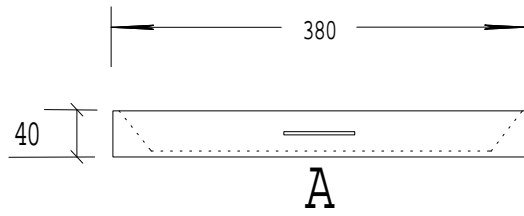
Australian Road Covers Pty Ltd
 Factory 10/981 Mountain Highway
 BORONIA 3155 Victoria Australia
 Phone 9729 8099 9729 8012
 Fax 9729 8045
 Email archwat@aapt.net.au

Title:
 300x300 c/o Class B
 (LIGHT DUTY)
 SUMP GRATE & FRAME

Scale	N.T.S
Date	1/9/2005

DRAWING No.
 ARCG3030B

NOTES
 THE GAP BETWEEN THE GRATE & FRAME
 SHOULD BE A MAX OF 5mm



FRAME OVERALL

GRATE OVERALL



Australian Road Covers Pty Ltd
 Factory 10/981 Mountain Highway
 BORONIA 3155 Victoria Australia
 Phone 9729 8099 9729 8012
 Fax 9729 8045
 Email archwat@aapt.net.au

Title:
 300x300 c/o Class C
 (MEDIUM DUTY)
 SUMP GRATE & FRAME

Scale

N.T.S

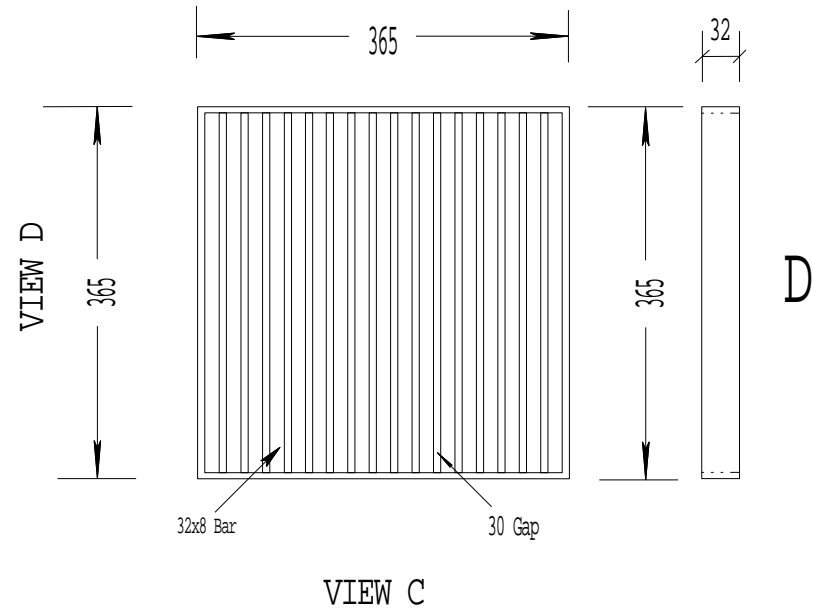
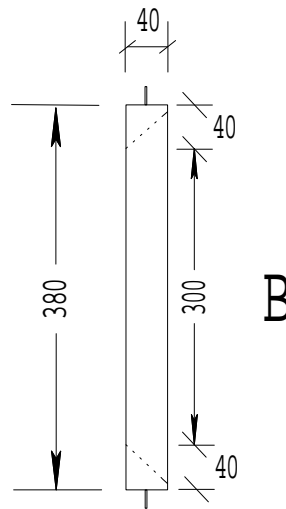
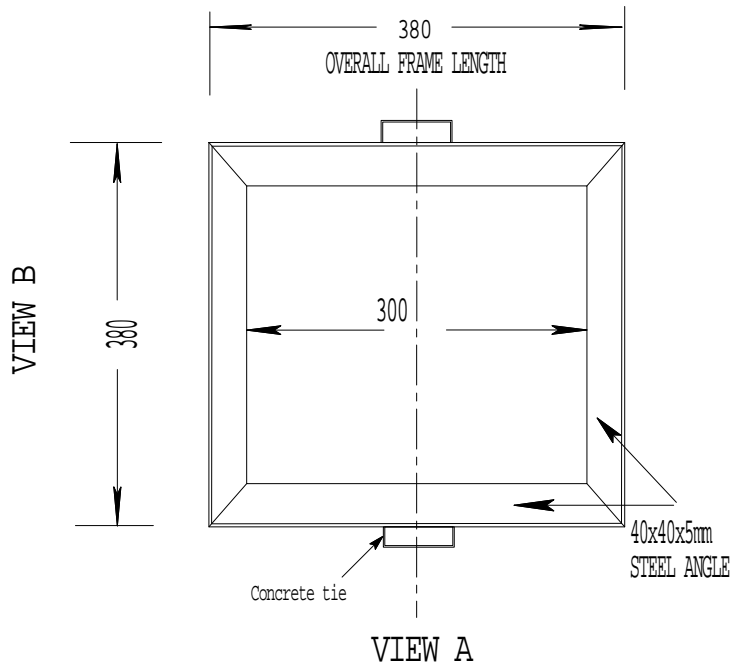
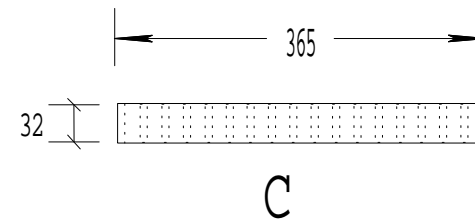
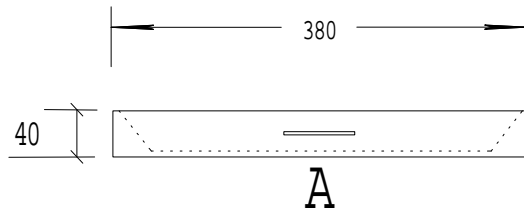
Date

1/9/2005

DRAWING No.

ARCG3030C

NOTES
 THE GAP BETWEEN THE GRATE & FRAME
 SHOULD BE A MAX OF 5mm



FRAME OVERALL

GRATE OVERALL



Australian Road Covers Pty Ltd
 Factory 10/981 Mountain Highway
 BORONIA 3155 Victoria Australia
 Phone 9729 8099 9729 8012
 Fax 9729 8045
 Email archwat@aapt.net.au

Title:
 300x300 c/o Class D
 (HEAVY DUTY)
 SUMP GRATE & FRAME

Scale

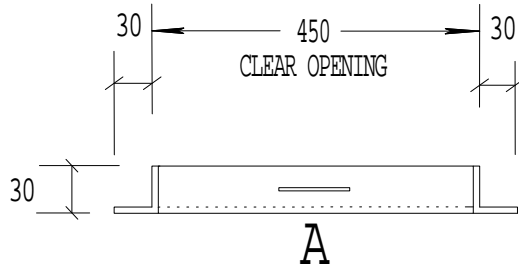
N.T.S

Date

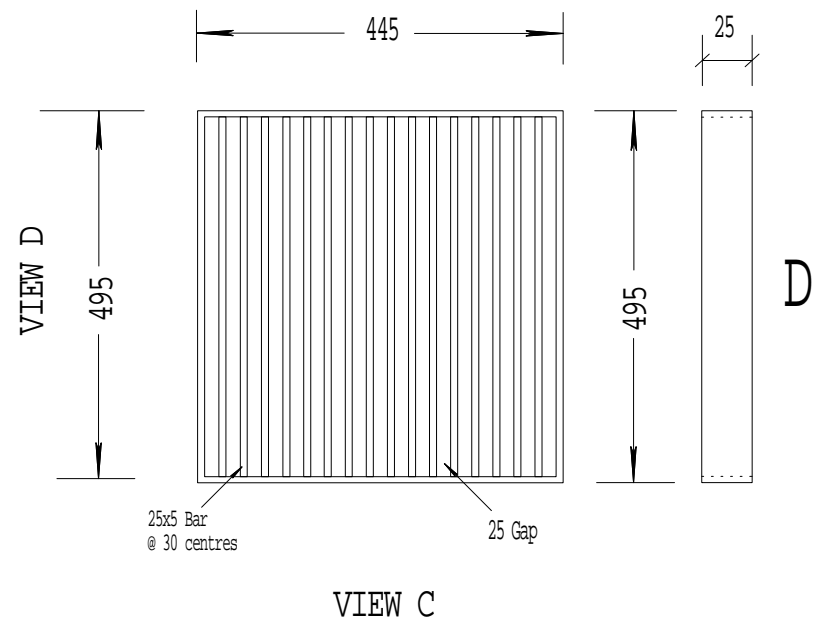
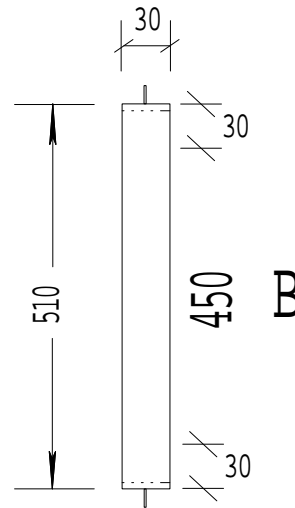
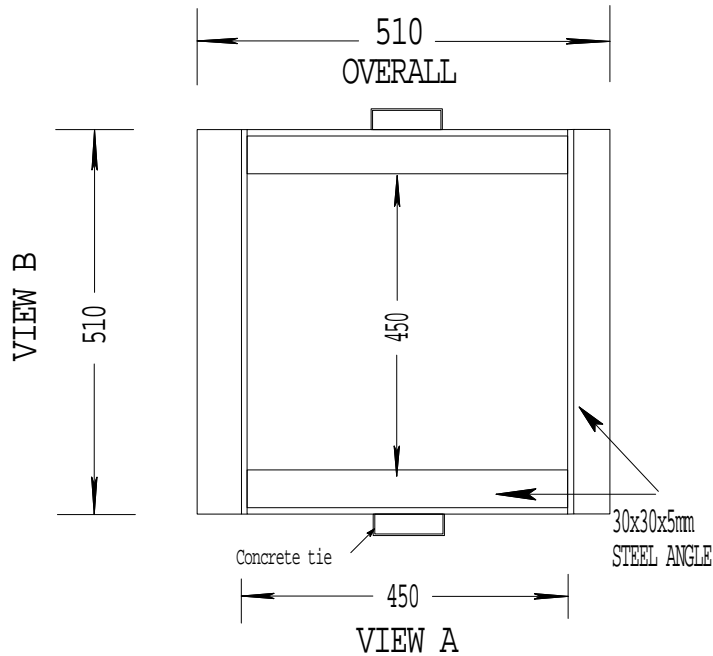
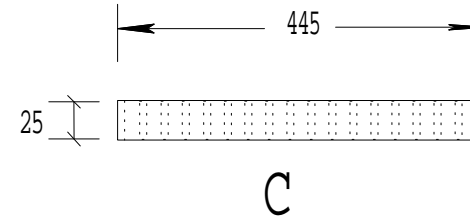
1/9/2005

DRAWING No.

ARCG3030D



NOTES
 THE GAP BETWEEN THE GRATE & FRAME
 SHOULD BE A MAX OF 5mm



FRAME OVERALL

GRATE OVERALL



Australian Road Covers Pty Ltd
 Factory 10/981 Mountain Highway
 BORONIA 3155 Victoria Australia
 Phone 9729 8099 9729 8012
 Fax 9729 8045
 Email archwat@aapt.net.au

Title:

450x450 c/o Class B
 (LIGHT DUTY)
 SUMP GRATE & FRAME

Scale

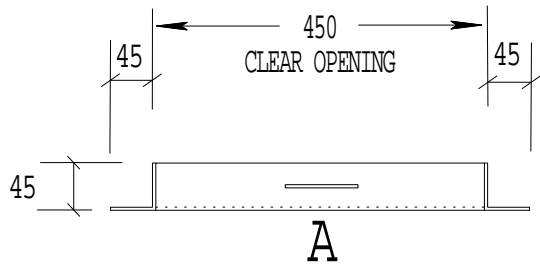
N.T.S

Date

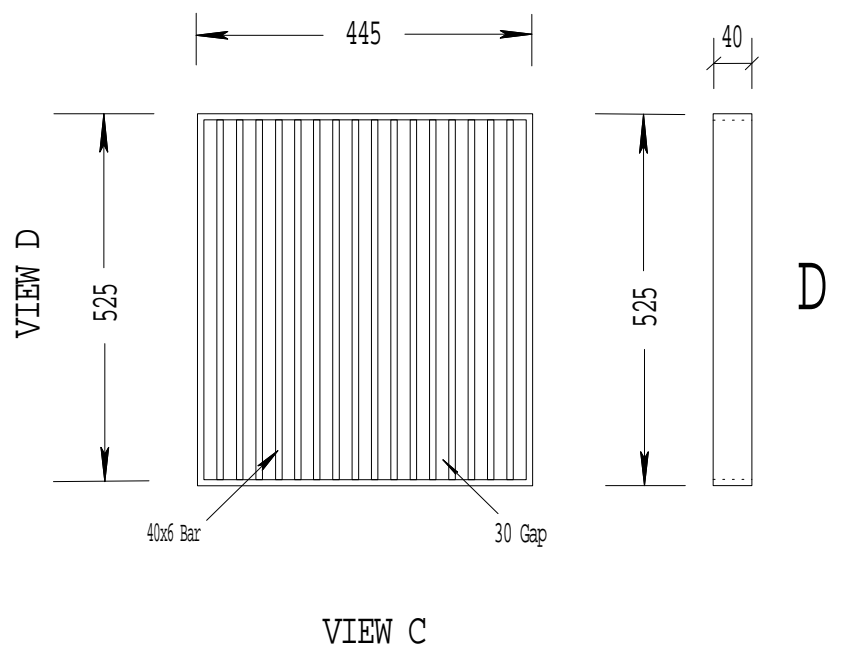
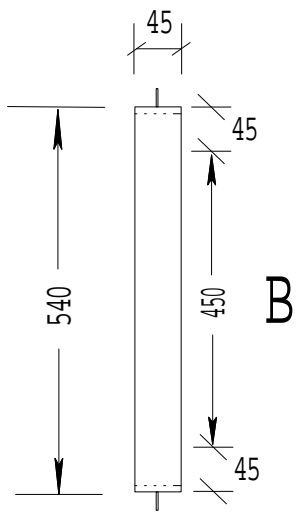
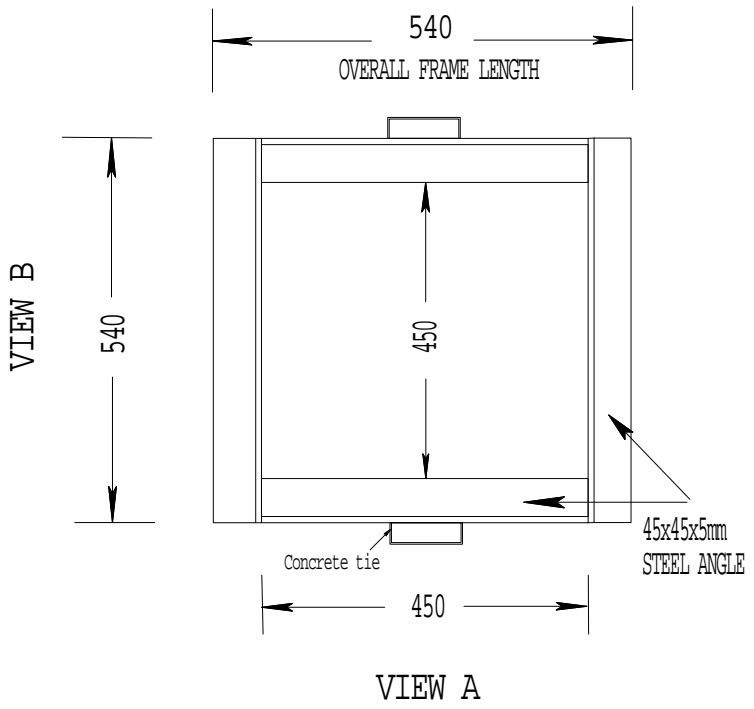
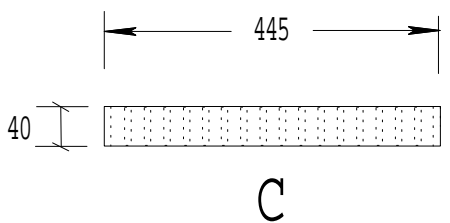
1/9/2005

DRAWING No.

ARC4545B



NOTES
 THE GAP BETWEEN THE GRATE & FRAME
 SHOULD BE A MAX OF 5mm



FRAME OVERALL

GRATE OVERALL

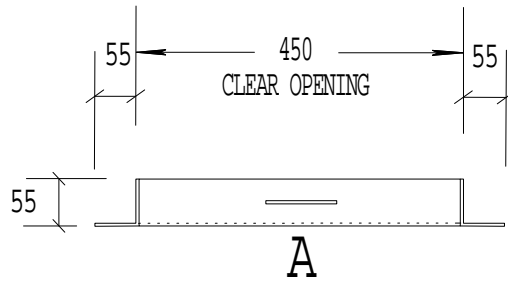


Australian Road Covers Pty Ltd
 Factory 10/981 Mountain Highway
 BORONIA 3155 Victoria Australia
 Phone 9729 8099 9729 8012
 Fax 9729 8045
 Email archwat@aapt.net.au

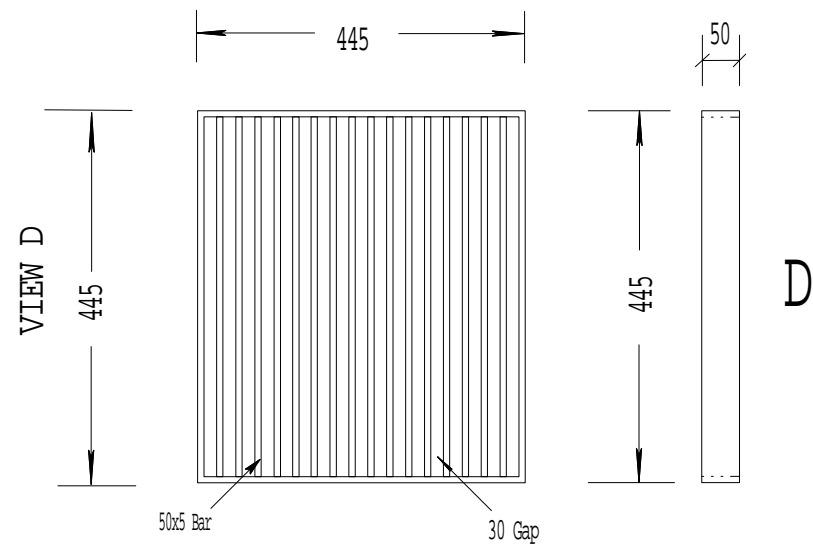
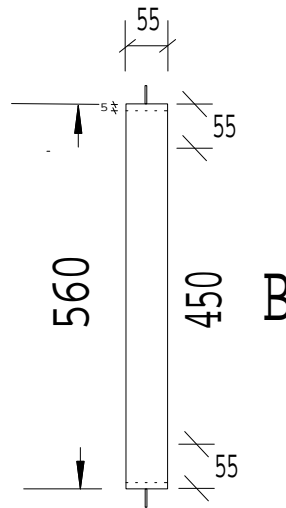
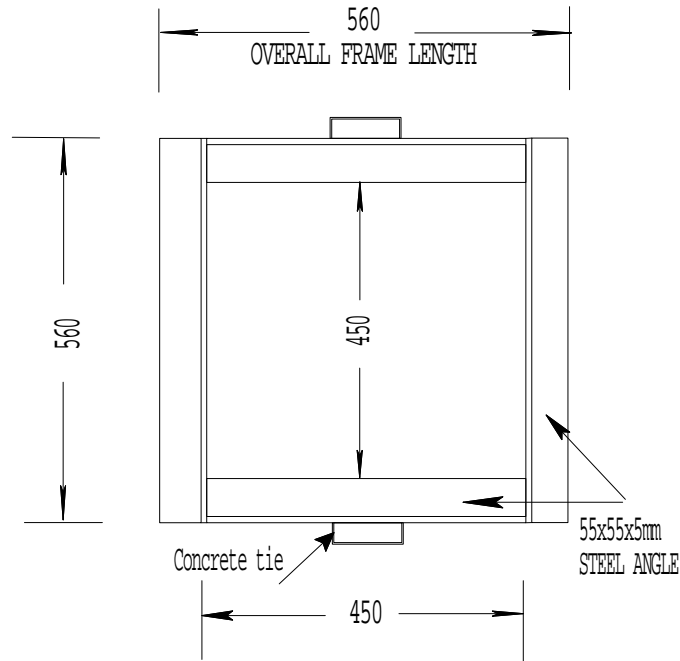
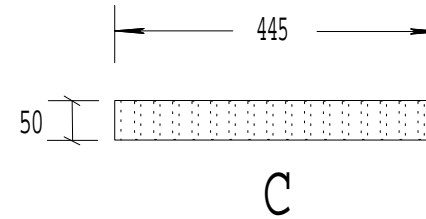
Title:
 450x450 c/o Class C
 (MEDIUM DUTY)
 SUMP GRATE & FRAME

Scale	N.T.S
Date	1/9/2005

DRAWING No.
 ARC4545C



NOTES
THE GAP BETWEEN THE GRATE & FRAME
SHOULD BE A MAX OF 5mm



VIEW A

VIEW C

FRAME OVERALL

GRATE OVERALL



Australian Road Covers Pty Ltd
Factory 10/981 Mountain Highway
BORONIA 3155 Victoria Australia
Phone 9729 8099 9729 8012
Fax 9729 8045
Email archwat@aapt.net.au

Title:

450x450 c/o Class D
(HEAVY DUTY)
SUMP GRATE & FRAME

Scale

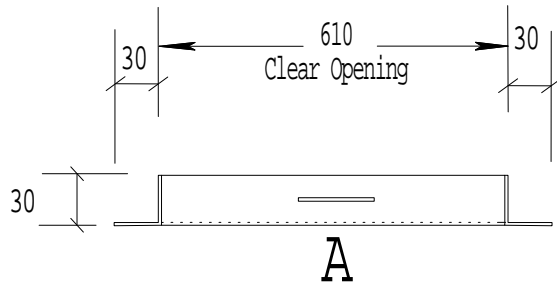
N.T.S

Date

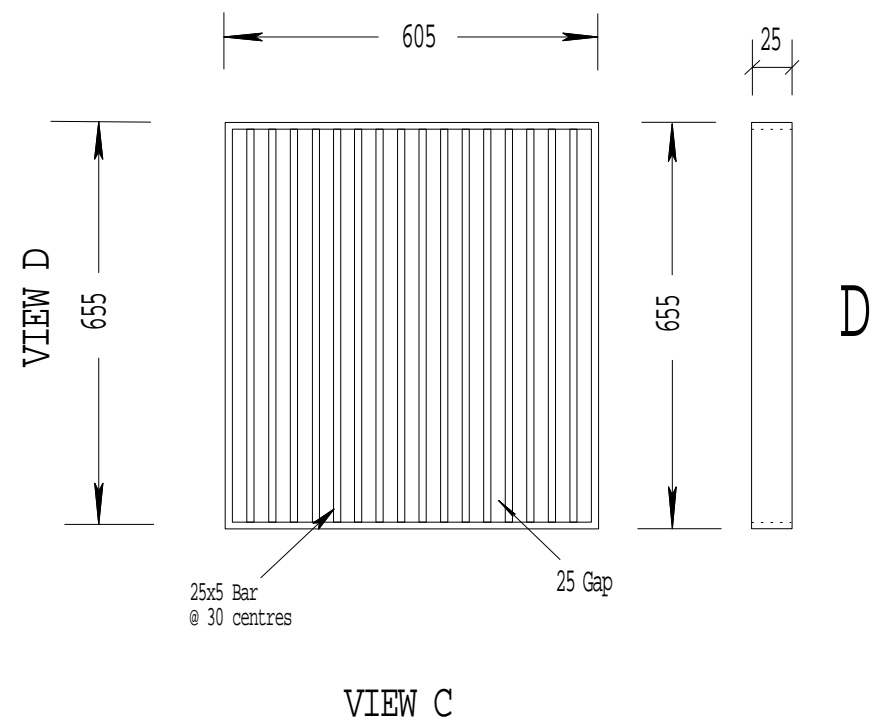
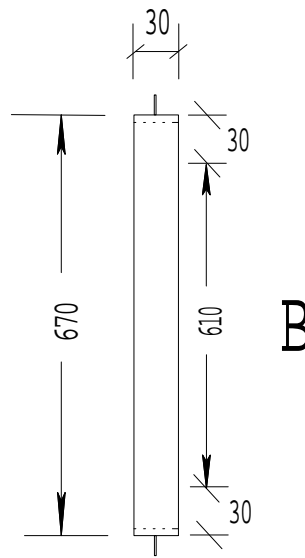
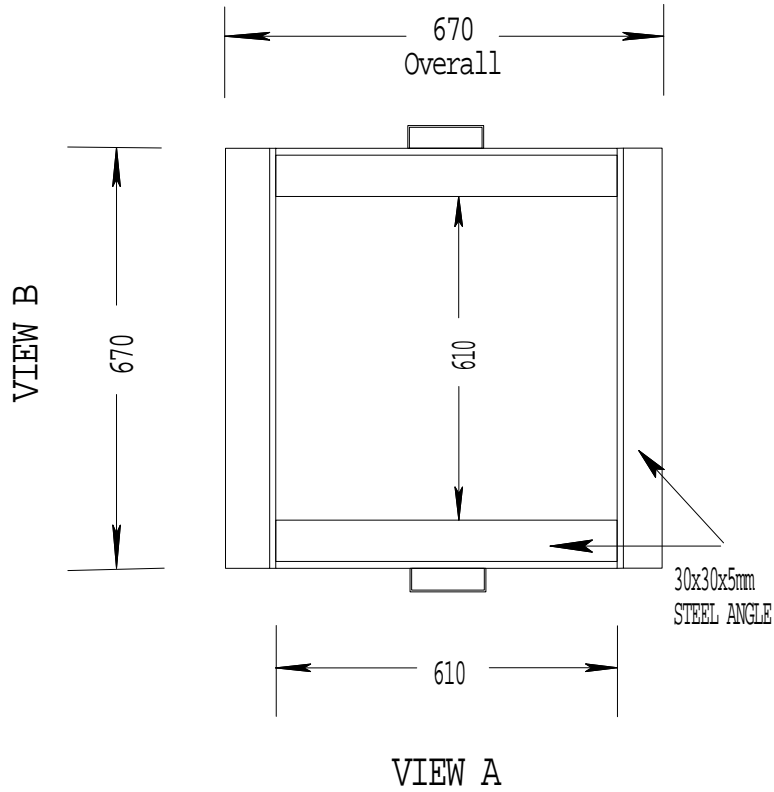
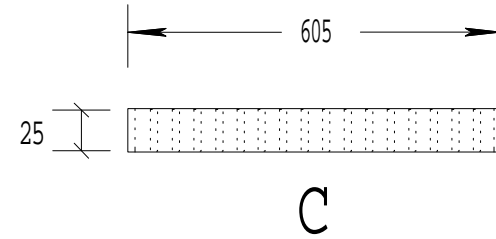
1/9/2005

DRAWING No.

ARCG4545D



NOTES
 THE GAP BETWEEN THE GRATE & FRAME
 SHOULD BE A MAX OF 5mm



FRAME OVERALL

GRATE OVERALL

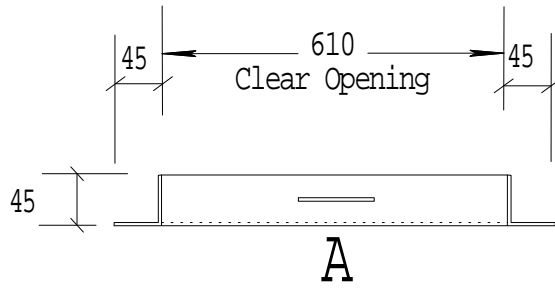


Australian Road Covers Pty Ltd
 Factory 10/981 Mountain Highway
 BORONIA 3155 Victoria Australia
 Phone 9729 8099 9729 8012
 Fax 9729 8045
 Email archwat@aapt.net.au

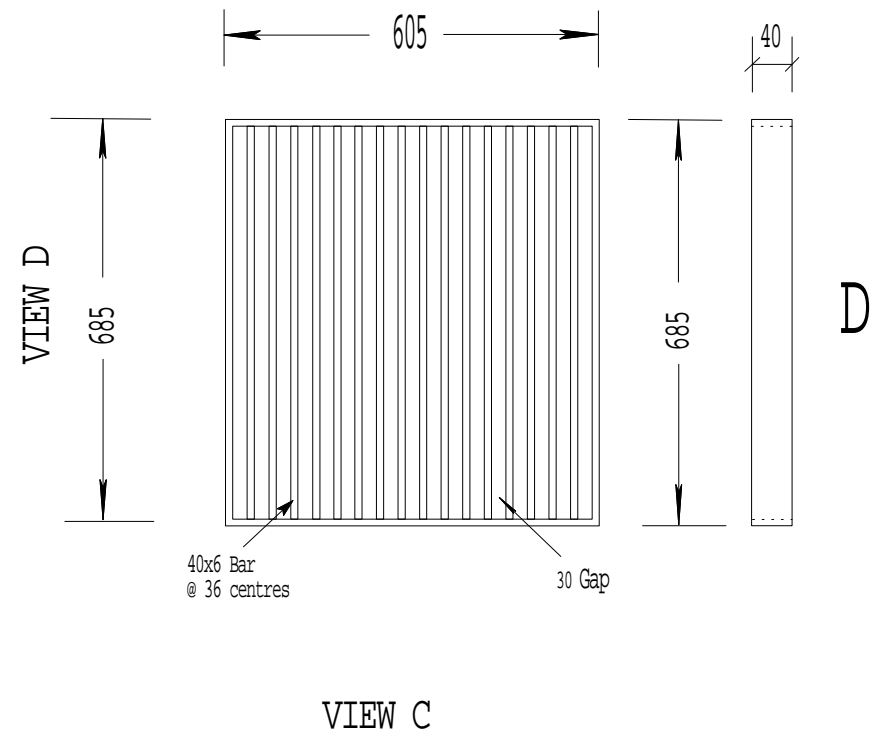
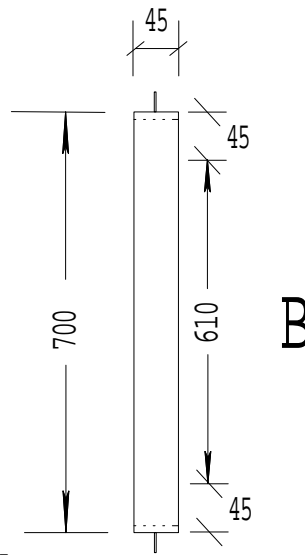
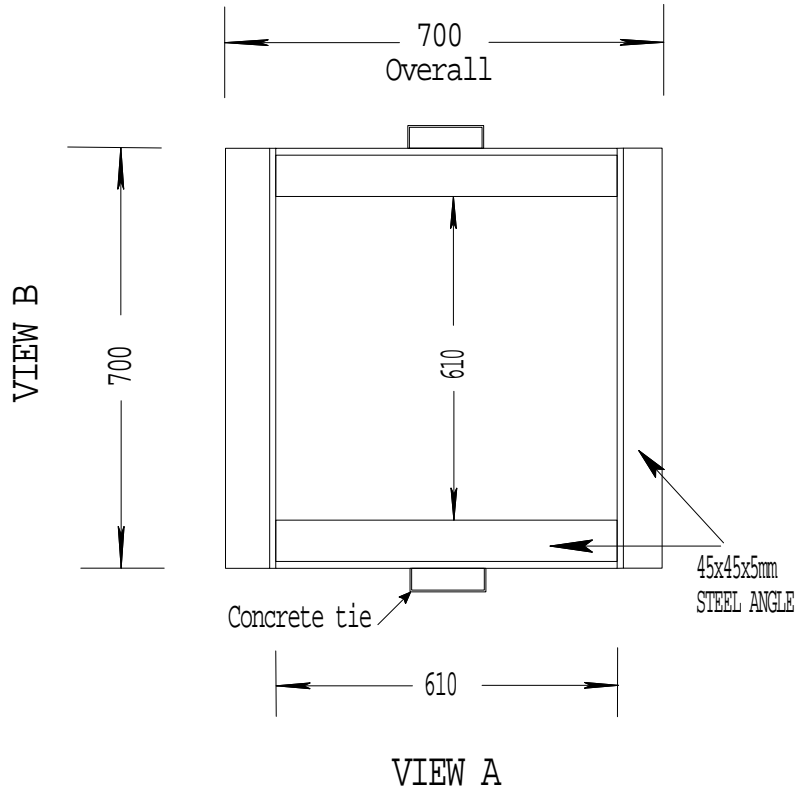
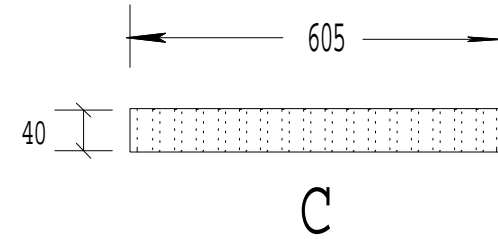
Title:
 610x610 c/o Class B
 (LIGHT DUTY)
 SUMP GRATE & FRAME

Scale	N.T.S
Date	1/9/2005

DRAWING No.
 ARC6060B



NOTES
THE GAP BETWEEN THE GRATE & FRAME
SHOULD BE A MAX OF 5mm



FRAME OVERALL

GRATE OVERALL

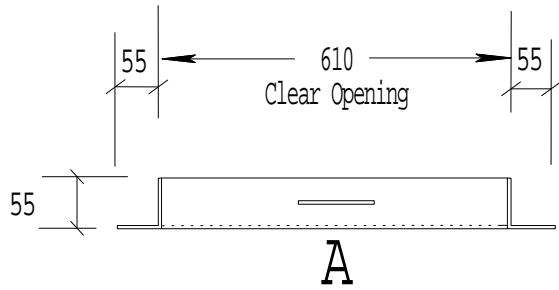


Australian Road Covers Pty Ltd
Factory 10/981 Mountain Highway
BORONIA 3155 Victoria Australia
Phone 9729 8099 9729 8012
Fax 9729 8045
Email archwat@aapt.net.au

Title:
610x610 c/o Class C
(MEDIUM DUTY)
SUMP GRATE & FRAME

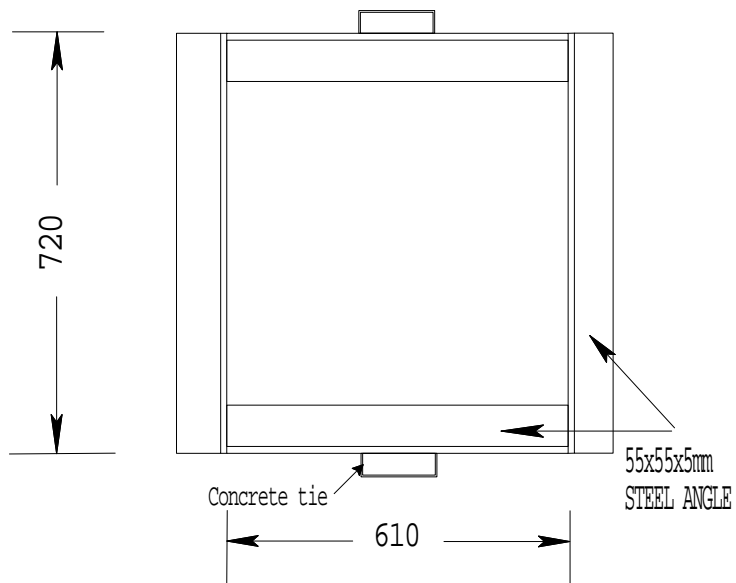
Scale	N.T.S
Date	1/9/2005

DRAWING No.
ARC6060C



720
OVERALL FRAME LENGTH

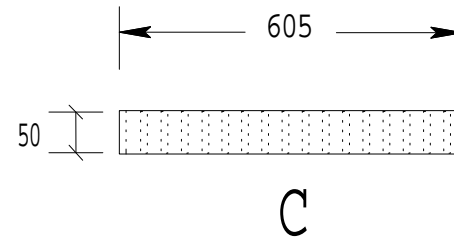
VIEW B



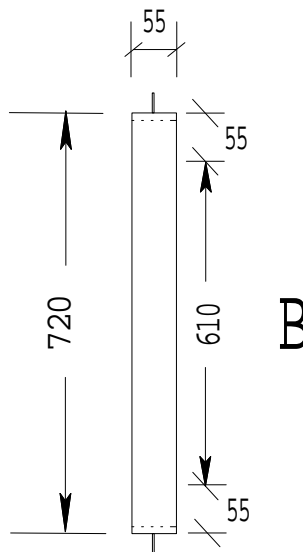
VIEW A

FRAME OVERALL

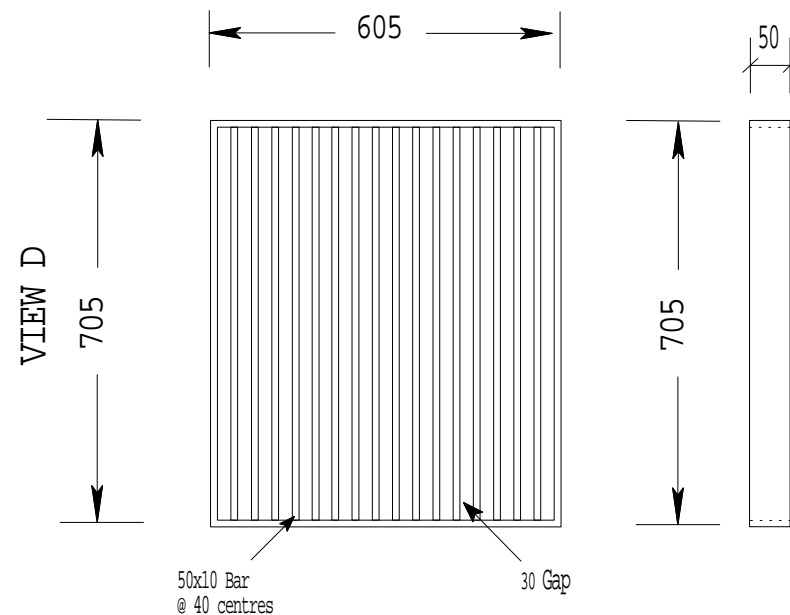
NOTES
THE GAP BETWEEN THE GRATE & FRAME
SHOULD BE A MAX OF 5mm



C



B



VIEW C

GRATE OVERALL



Australian Road Covers Pty Ltd
Factory 10/981 Mountain Highway
BORONIA 3155 Victoria Australia
Phone 9729 8099 9729 8012
Fax 9729 8045
Email archwat@aapt.net.au

Title:

610x610 c/o Class D
(HEAVY DUTY)
SUMP GRATE & FRAME

Scale

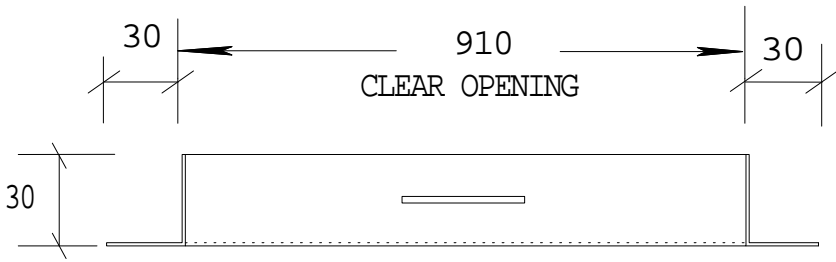
N.T.S

Date

1/9/2005

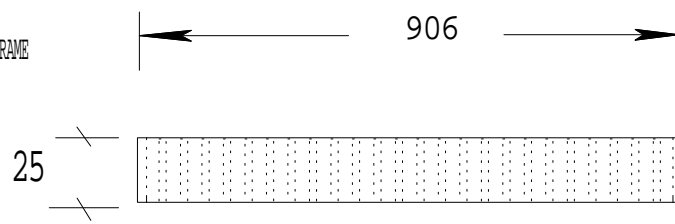
DRAWING No.

ARC6060D

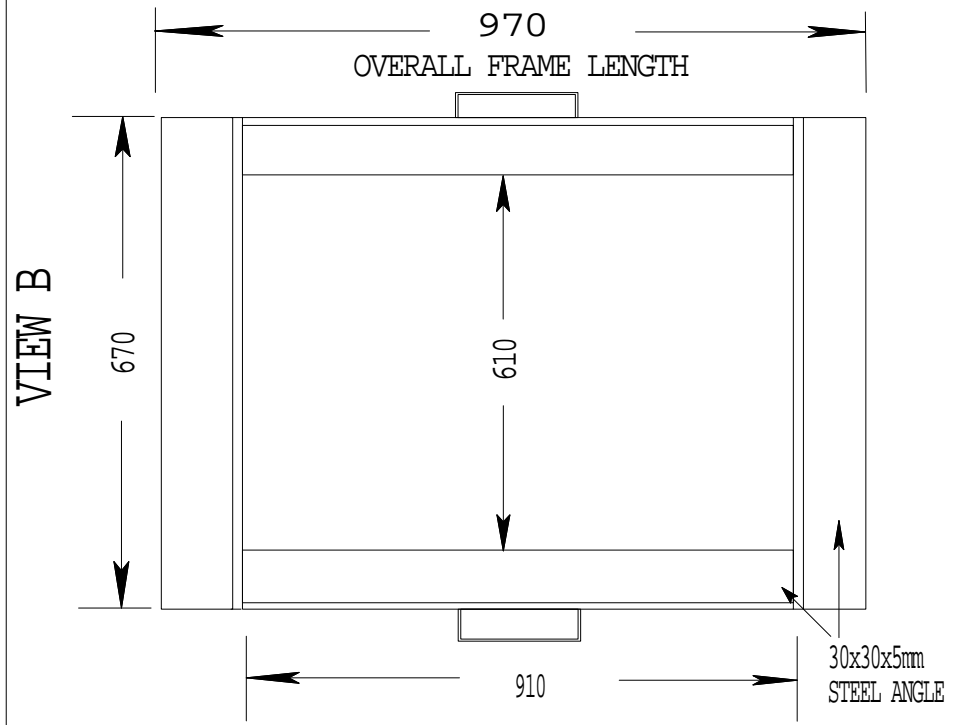


A

NOTES
THE GAP BETWEEN THE GRATE & FRAME
SHOULD BE A MAX OF 5mm

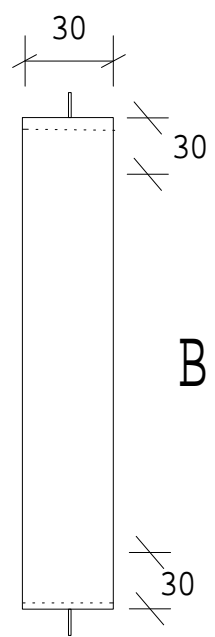


C

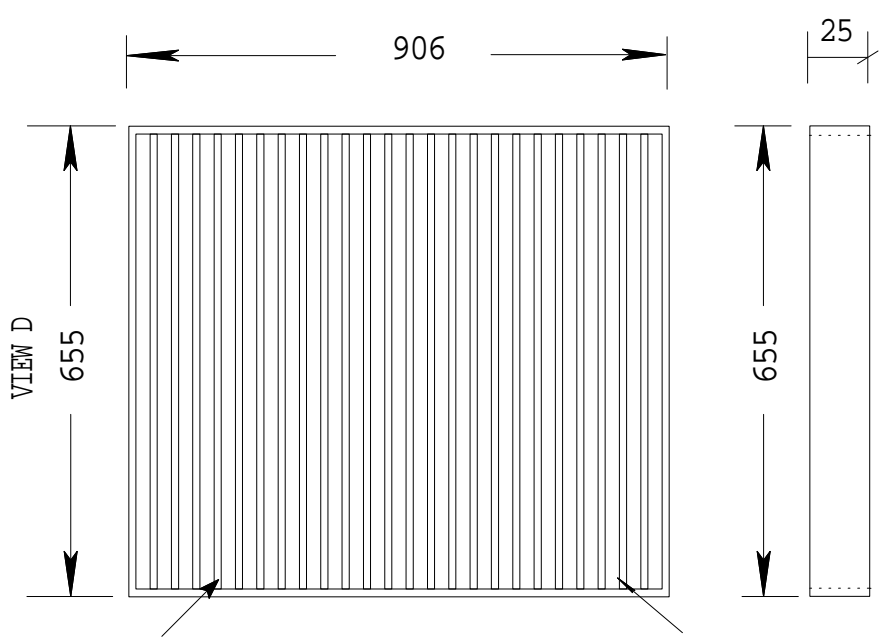


VIEW B

VIEW A
FRAME OVERALL



B



VIEW D

VIEW C
GRATE OVERALL



Australian Road
Covers

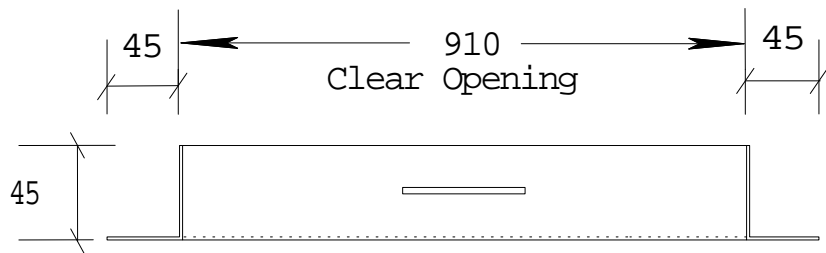
Australian Road Covers Pty Ltd
Factory 10/981 Mountain Highway
BORONIA 3155 Victoria Australia
Phone 9729 8099 9729 8012
Fax 9729 8045
Email archwat@aapt.net.au

Title:
610x910 c/o Class B
(LIGHT DUTY)
SUMP GRATE & FRAME

Scale	N.T.S
Date	1/9/2005

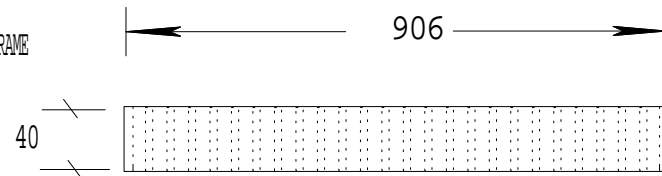
DRAWING No.

ARC6090B

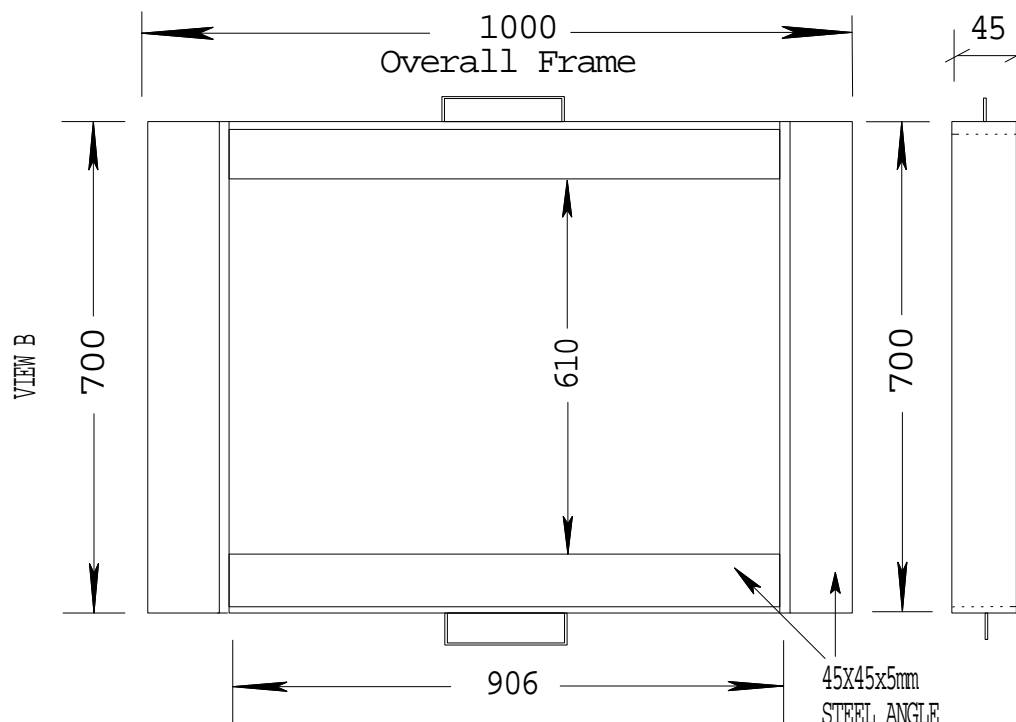


A

NOTES
THE GAP BETWEEN THE GRATE & FRAME
SHOULD BE A MAX OF 5mm

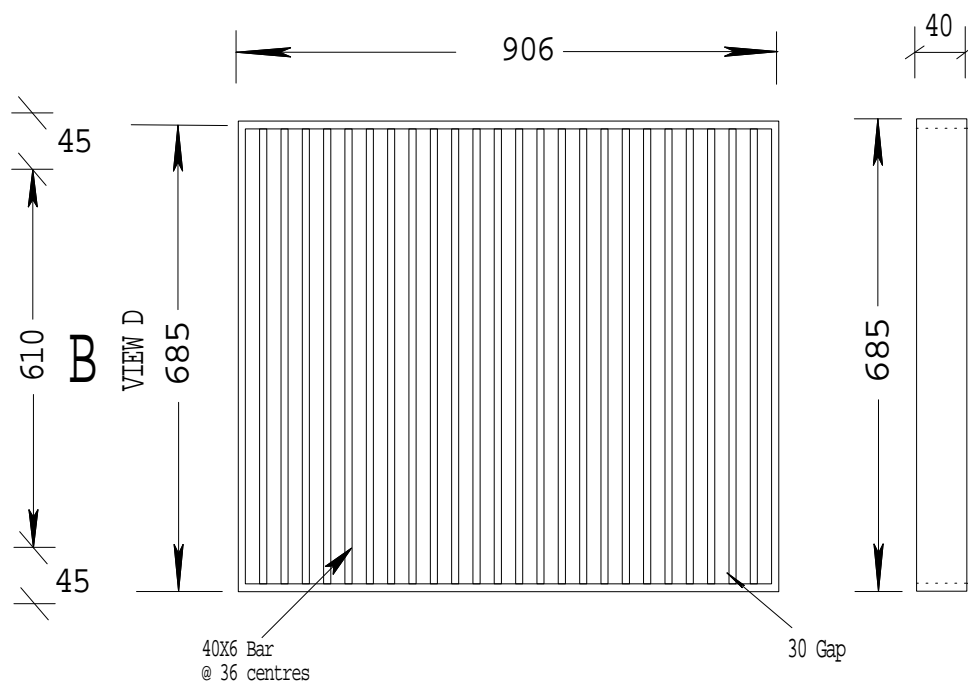


C



VIEW A

FRAME OVERALL



VIEW C

GRATE OVERALL



Australian Road
Covers

Australian Road Covers Pty Ltd
Factory 10/981 Mountain Highway
BORONIA 3155 Victoria Australia
Phone 9729 8099 9729 8012
Fax 9729 8045
Email archwat@aapt.net.au

Title:

610x910 c/o Class C
(MEDIUM DUTY)
SUMP GRATE & FRAME

Scale

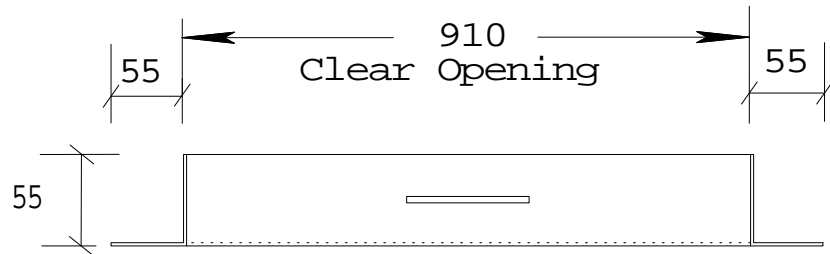
N.T.S

Date

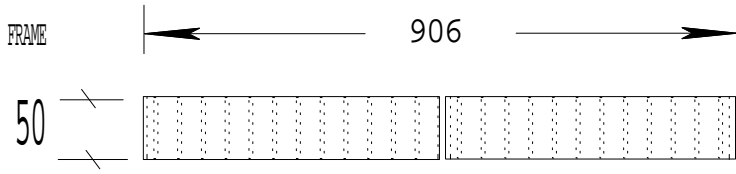
1/9/2005

DRAWING No.

ARC6090C

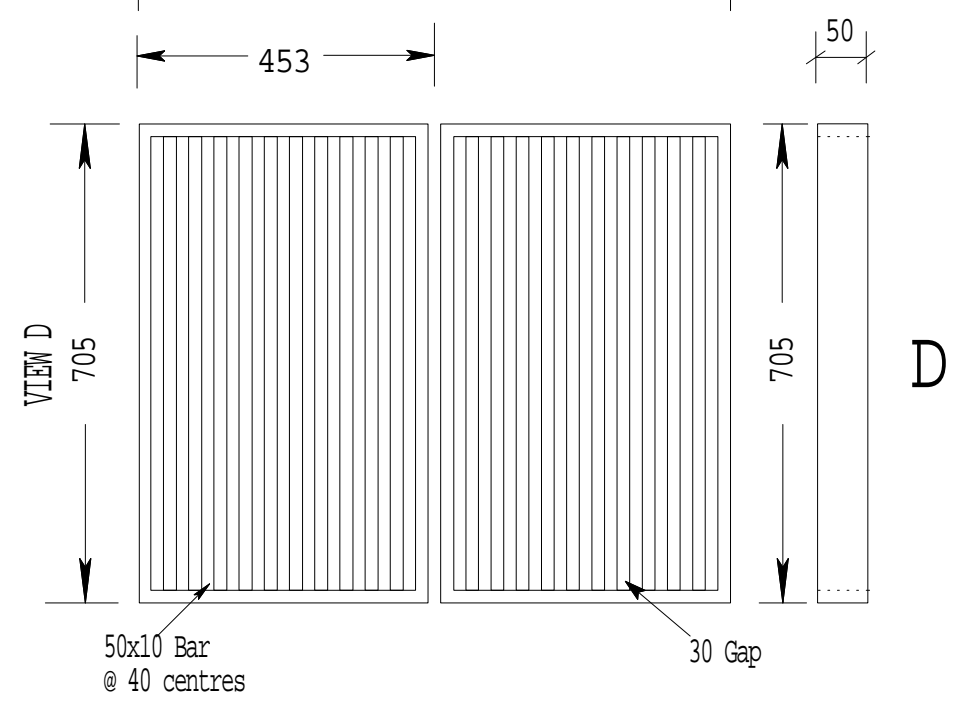
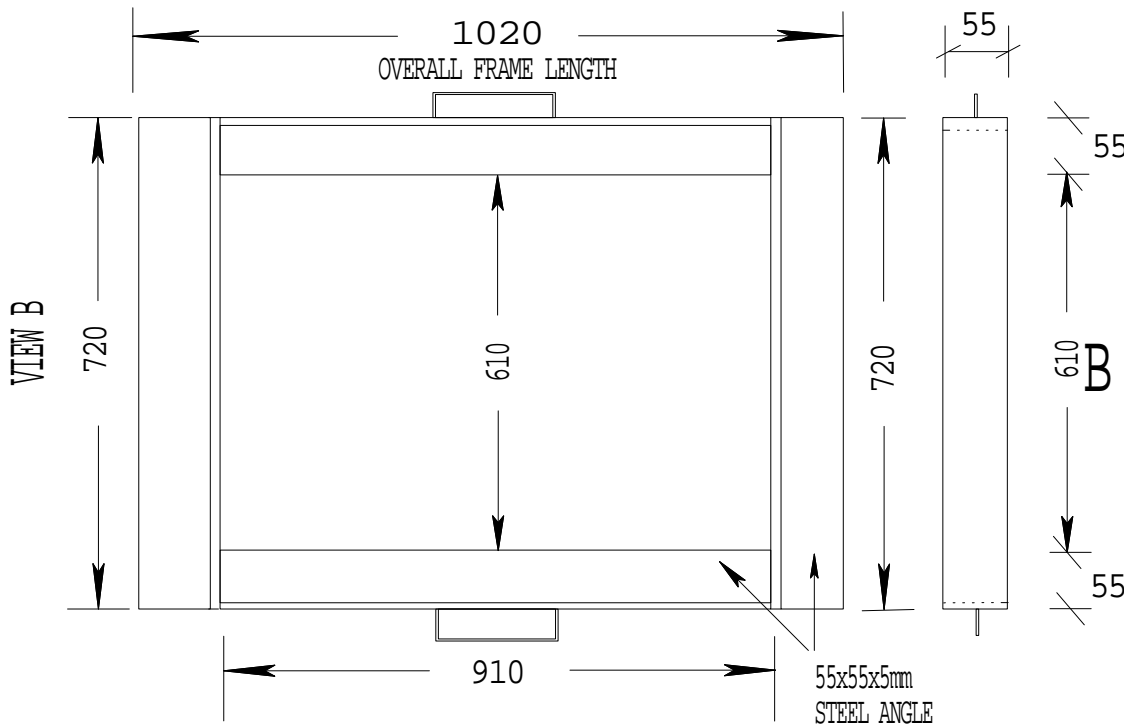
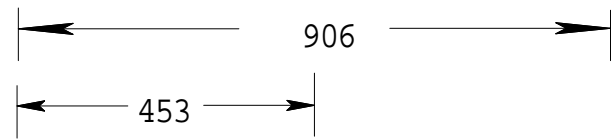
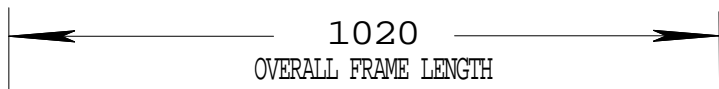


NOTES
THE GAP BETWEEN THE GRATE & FRAME
SHOULD BE A MAX OF 5mm



A

C



VIEW A

VIEW C

FRAME OVERALL

GRATE OVERALL



Australian Road Covers Pty Ltd
Factory 10/981 Mountain Highway
BORONIA 3155 Victoria Australia
Phone 9729 8099 9729 8012
Fax 9729 8045
Email archwat@aapt.net.au

Title:

610x910 c/o Class D
(HEAVY DUTY)
SUMP GRATE & FRAME

Scale

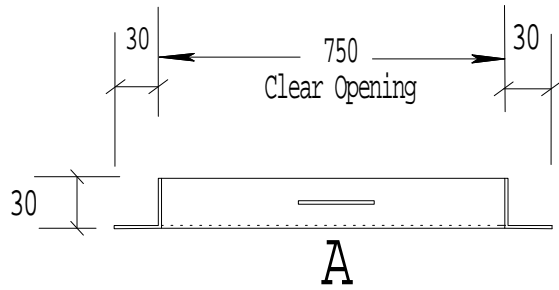
N.T.S

Date

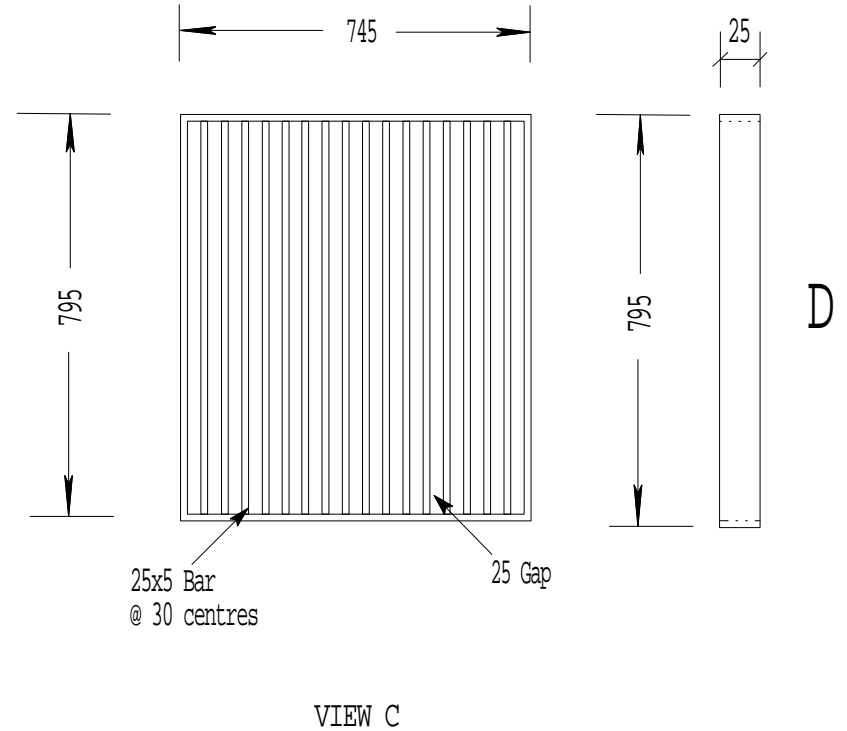
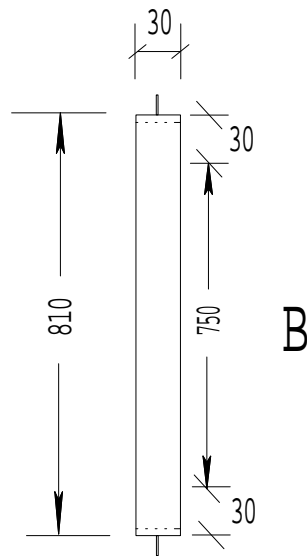
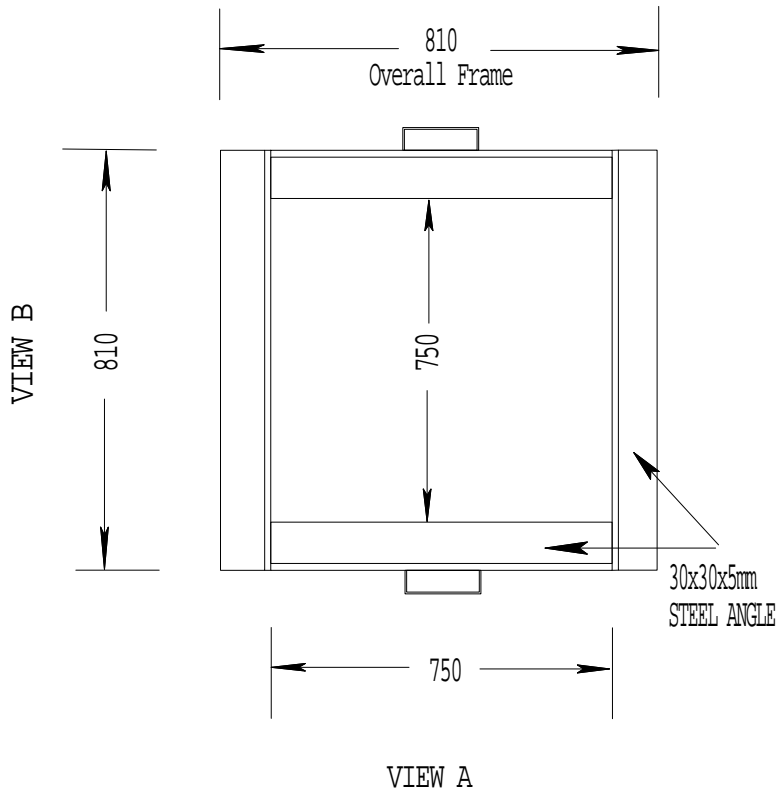
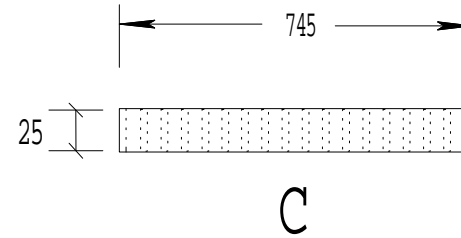
1/9/2005

DRAWING No.

ARC6090D



NOTES
THE GAP BETWEEN THE GRATE & FRAME
SHOULD BE A MAX OF 5mm



FRAME OVERALL

GRATE OVERALL



Australian Road Covers Pty Ltd
Factory 10/981 Mountain Highway
BORONIA 3155 Victoria Australia
Phone 9729 8099 9729 8012
Fax 9729 8045
Email archwat@aapt.net.au

Title:

750x750 c/o Class B
(LIGHT DUTY)
SUMP GRATE & FRAME

Scale

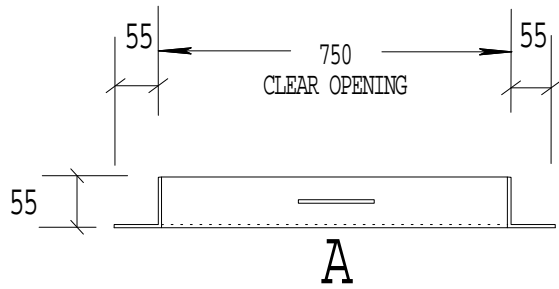
N.T.S

Date

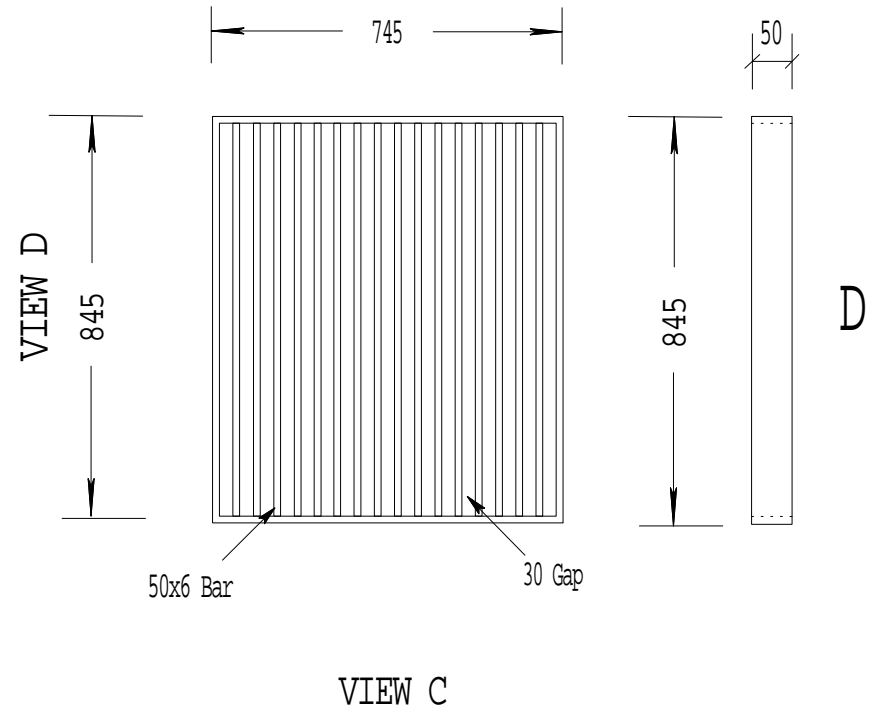
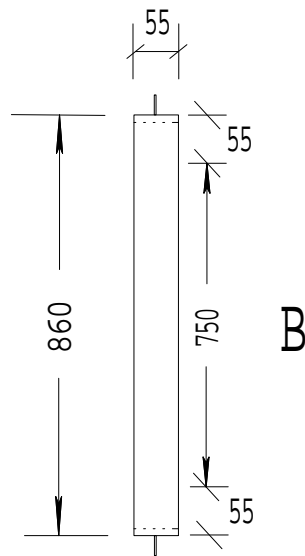
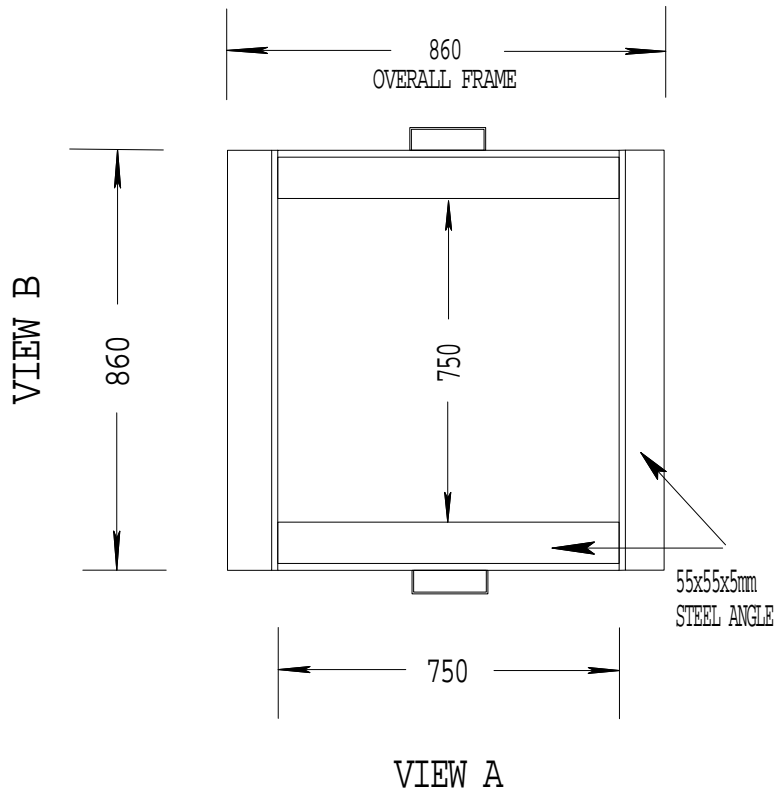
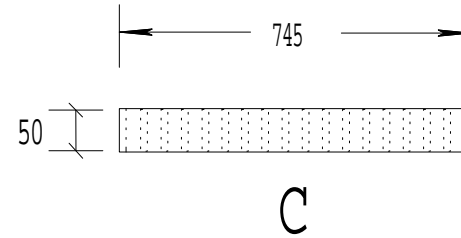
1/9/2005

DRAWING No.

ARC7575B



NOTES
THE GAP BETWEEN THE GRATE & FRAME
SHOULD BE A MAX OF 5mm



FRAME OVERALL

GRATE OVERALL



Australian Road Covers Pty Ltd
Factory 10/981 Mountain Highway
BORONIA 3155 Victoria Australia
Phone 9729 8099 9729 8012
Fax 9729 8045
Email archwat@aapt.net.au

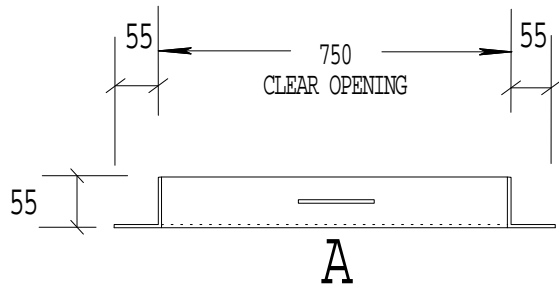
Title:
750x750 c/o Class C
(MEDIUM DUTY)
SUMP GRATE & FRAME

Scale
N.T.S

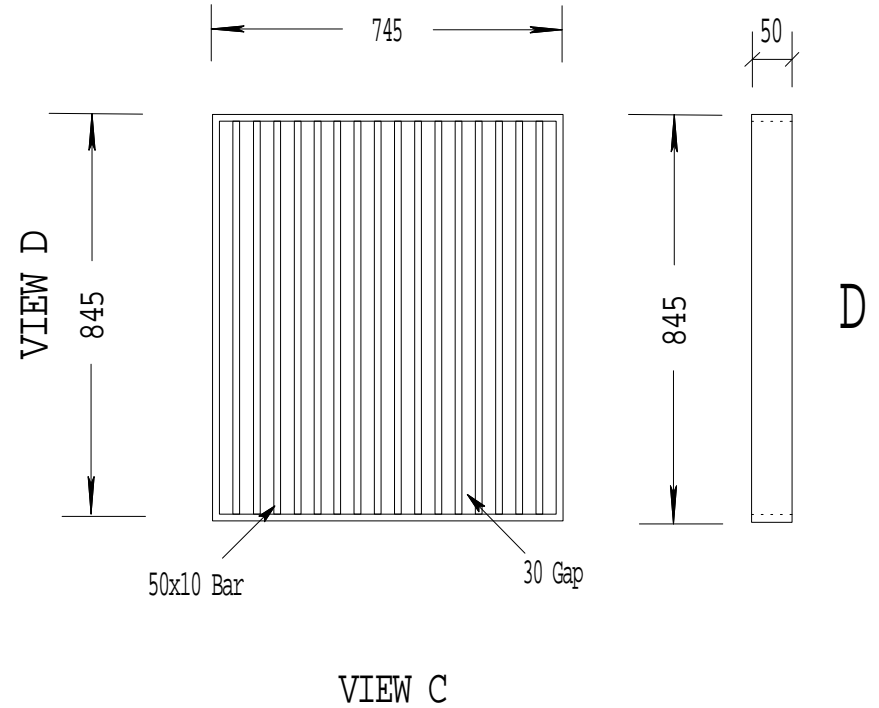
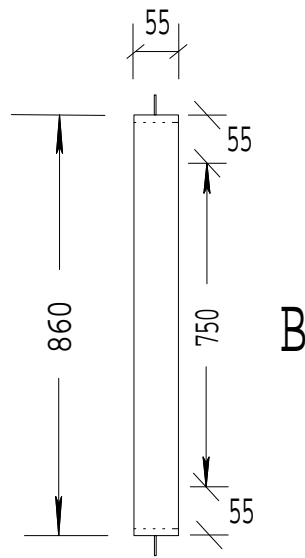
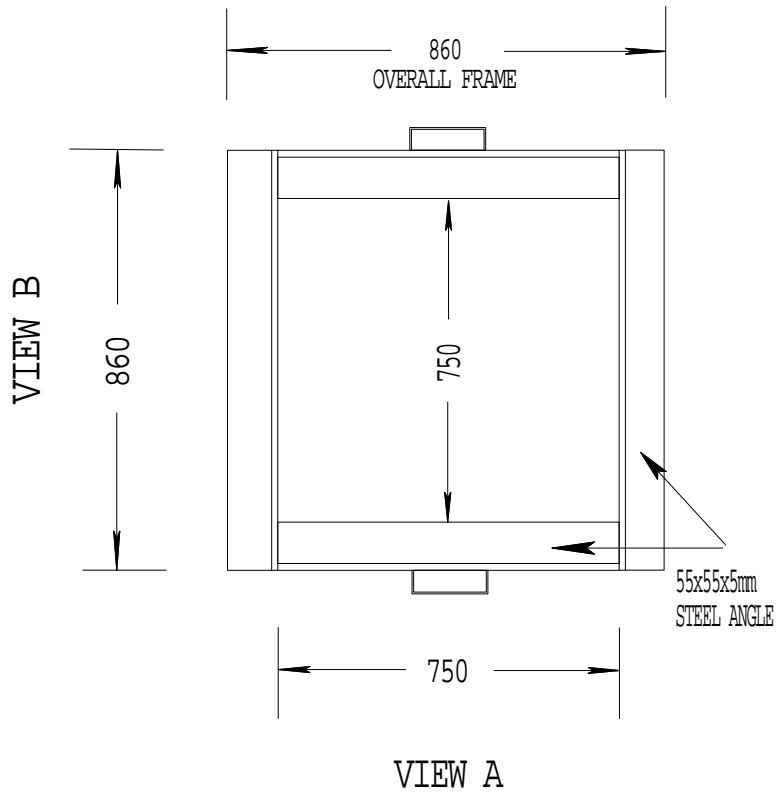
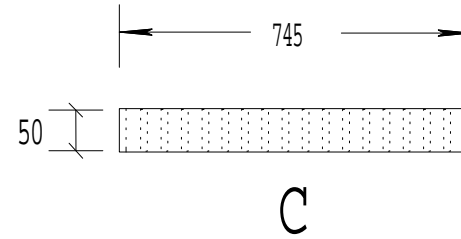
Date
1/9/2005

DRAWING No.

ARC7575C



NOTES
THE GAP BETWEEN THE GRATE & FRAME
SHOULD BE A MAX OF 5mm



FRAME OVERALL

GRATE OVERALL



Australian Road Covers Pty Ltd
Factory 10/981 Mountain Highway
BORONIA 3155 Victoria Australia
Phone 9729 8099 9729 8012
Fax 9729 8045
Email archwat@aapt.net.au

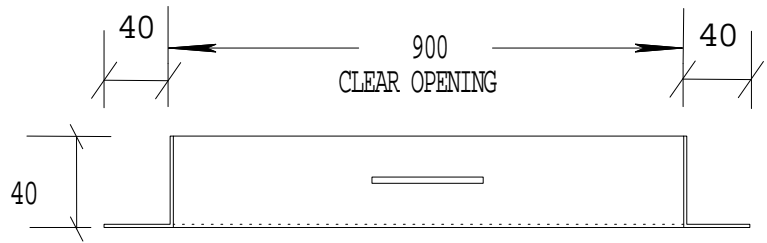
Title:
750x750 c/o Class D
(HEAVY DUTY)
SUMP GRATE & FRAME

Scale
N.T.S

Date
1/9/2005

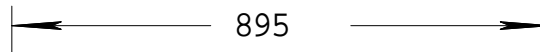
DRAWING No.

ARC75750



A

NOTES
THE GAP BETWEEN THE GRATE & FRAME
SHOULD BE A MAX OF 5mm

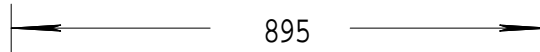


895

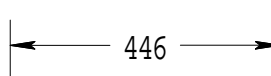
32



C



895

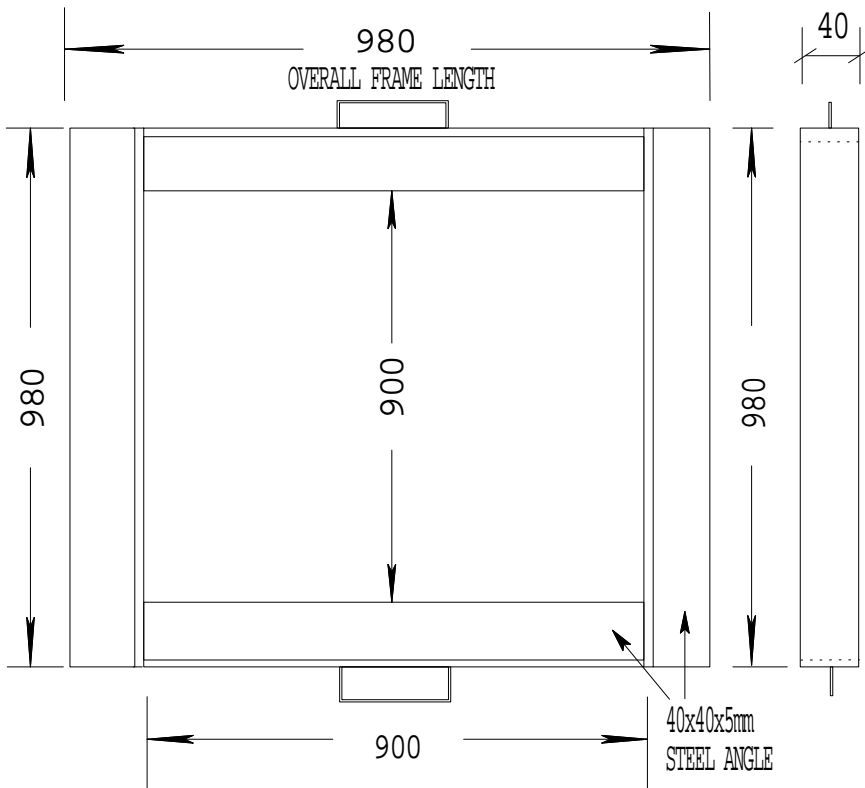


446



32

VIEW B



980
OVERALL FRAME LENGTH

40

40

900

40

VIEW A

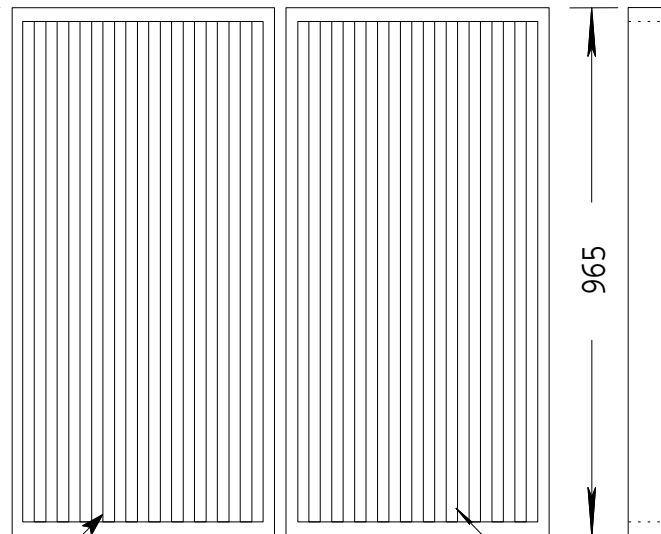
900

40x40x5mm
STEEL ANGLE

B

VIEW D

965



32x5 Bar
@ 30 centres

25 Gap

VIEW C

D

965

FRAME OVERALL

GRATE OVERALL



Australian Road Covers Pty Ltd
Factory 10/981 Mountain Highway
BORONIA 3155 Victoria Australia
Phone 9729 8099 9729 8012
Fax 9729 8045
Email archwat@aapt.net.au

Title:

900x900 c/o Class B
(LIGHT DUTY)
SUMP GRATE & FRAME

Scale

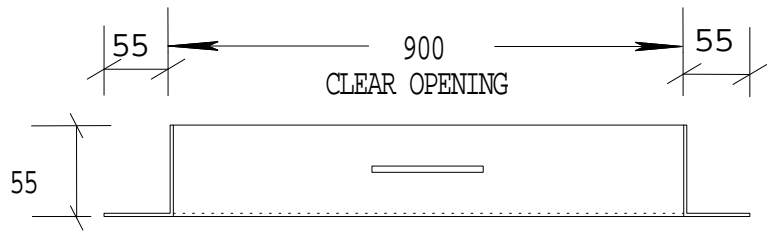
N.T.S

Date

1/9/2005

DRAWING No.

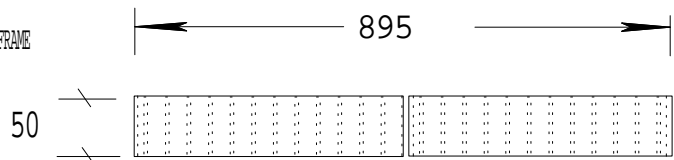
ARC9090B



900
CLEAR OPENING

A

NOTES
THE GAP BETWEEN THE GRATE & FRAME
SHOULD BE A MAX OF 5mm

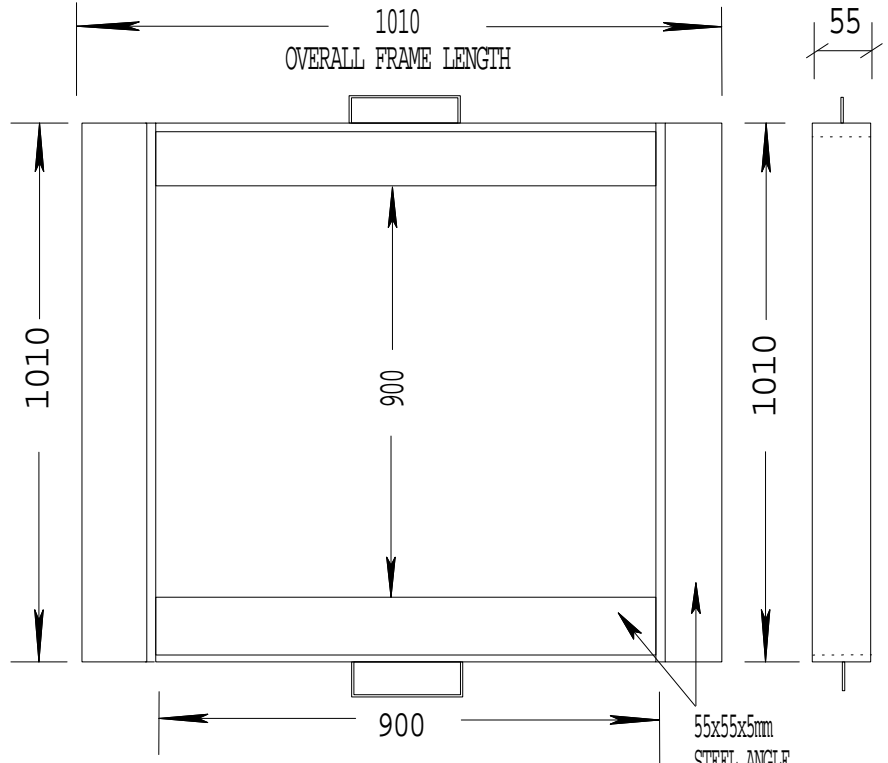


895

50

C

VIEW B



1010
OVERALL FRAME LENGTH

55

1010

900

1010

55

900

B

55

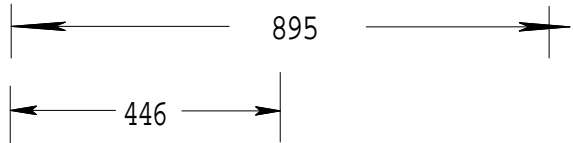
VIEW A

900

55x55x5mm
STEEL ANGLE

VIEW D

995



895

446

50

VIEW C

50x5 Bar
@ 35 centres

30 Gap

D

995

FRAME OVERALL

GRATE OVERALL



Australian Road
Covers

Australian Road Covers Pty Ltd
Factory 10/981 Mountain Highway
BORONIA 3155 Victoria Australia
Phone 9729 8099 9729 8012
Fax 9729 8045
Email archwat@aapt.net.au

Title:

900x900 c/o Class C
(MEDIUM DUTY)
SUMP GRATE & FRAME

Scale

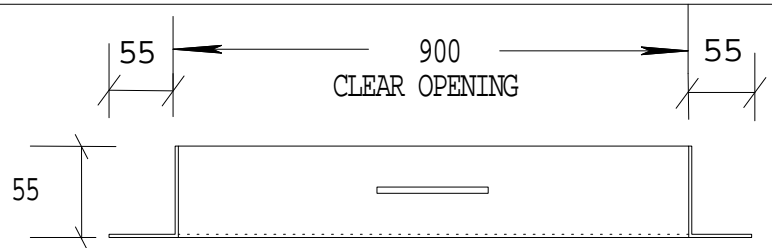
N.T.S

Date

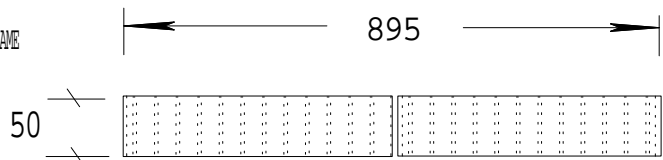
1/9/2005

DRAWING No.

ARC909C

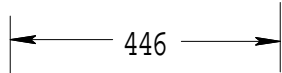
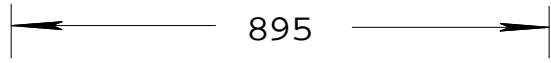
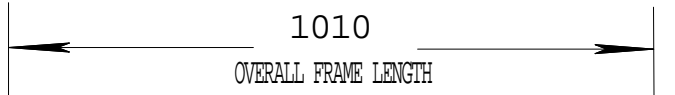


NOTES
THE GAP BETWEEN THE GRATE & FRAME
SHOULD BE A MAX OF 5mm

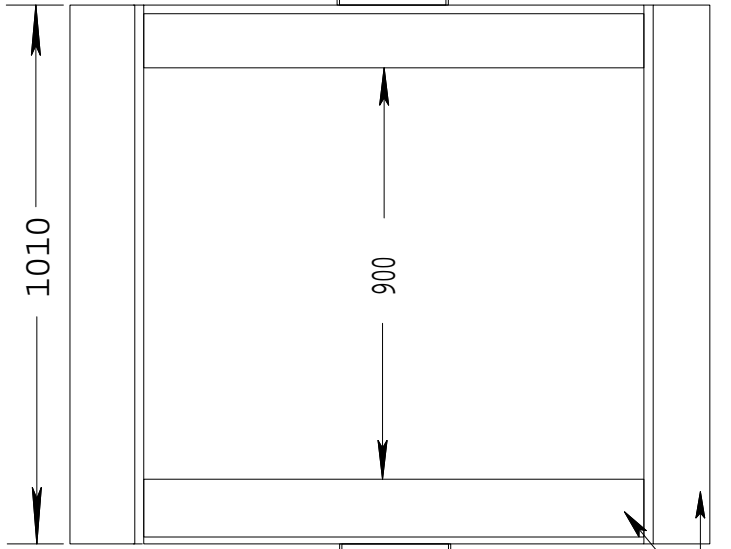


A

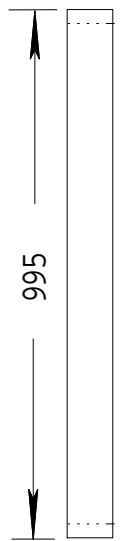
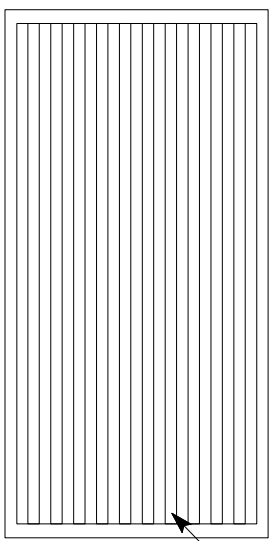
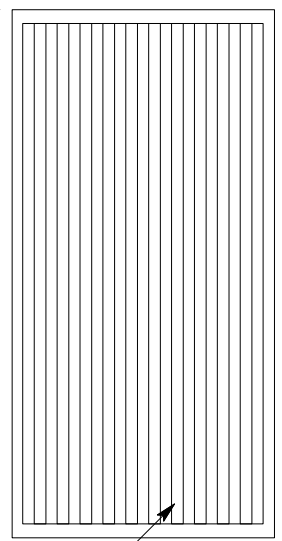
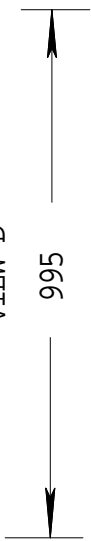
C



VIEW B



VIEW D



D

50x10 Bar
@ 40 centres

900
55x55x5mm
STEEL ANGLE

VIEW A

VIEW C

FRAME OVERALL

GRATE OVERALL



Australian Road
Covers

Australian Road Covers Pty Ltd
Factory 10/981 Mountain Highway
BORONIA 3155 Victoria Australia
Phone 9729 8099 9729 8012
Fax 9729 8045
Email archwat@aapt.net.au

Title:

900x900 c/o Class D
(HEAVY DUTY)
SUMP GRATE & FRAME

Scale

N.T.S

Date

1/9/2005

DRAWING No.

ARC9090D